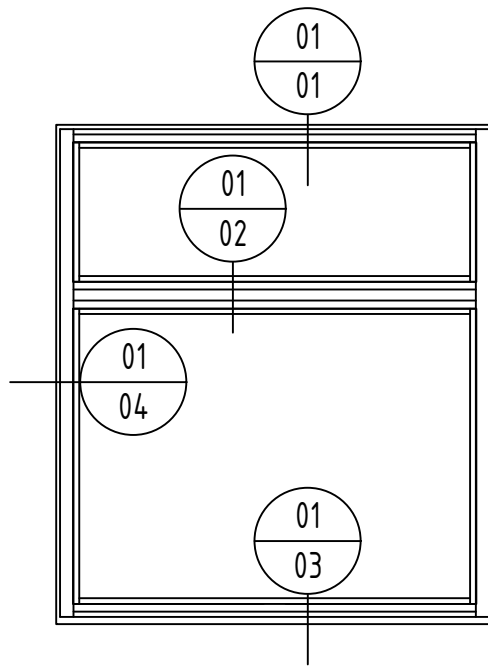


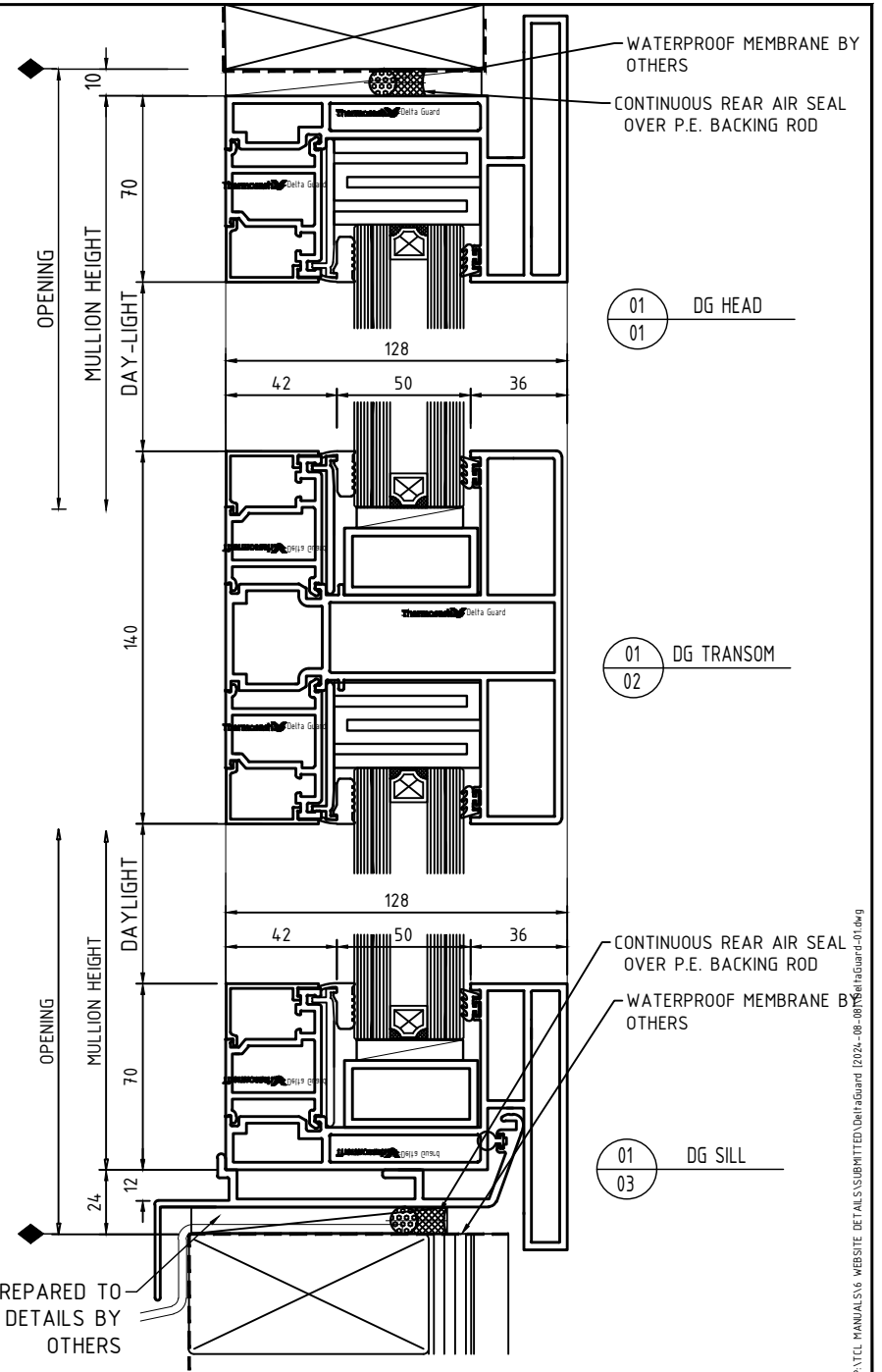
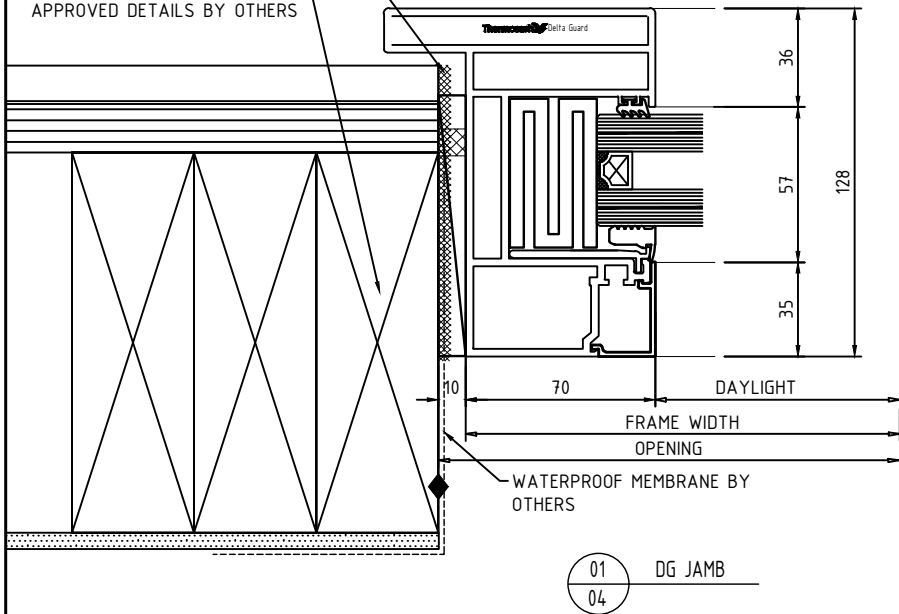
**NOTES:**

- 1) DRAWING TO BE USED IN CONJUNCTION WITH 'MASTERSPEC' (4211)
- 2) WINDOW SYSTEMS REQUIRE SPECIFIC DESIGN DEPENDING ON SPANS, WIND-LOADS, BUILDING CONDITIONS, ETC.
- 3) INSIDE GLAZE, INTERNAL REINFORCEMENT AND SEISMIC FRAME OPTIONS AVAILABLE

GLAZING: GLASS THICKNESS TO SUIT REQUIREMENTS  
 HARDWARE: STANDARD  
 HARDWARE OPTIONS  
 FINISHES: POWDER-COAT / ANODISED / PVF<sup>2</sup>



\*WET-SEAL THE PERIMETER PRIOR TO ANY INTERNAL LININGS  
 OPENING PREPARED TO APPROVED DETAILS BY OTHERS



OPENING PREPARED TO APPROVED DETAILS BY OTHERS

P:\TCL MANUALS\6 WEBSITE DETAILS\SUBMITTED\DeltaGuard (2024-08-08)\TCLManuals\DeltaGuard-01.dwg