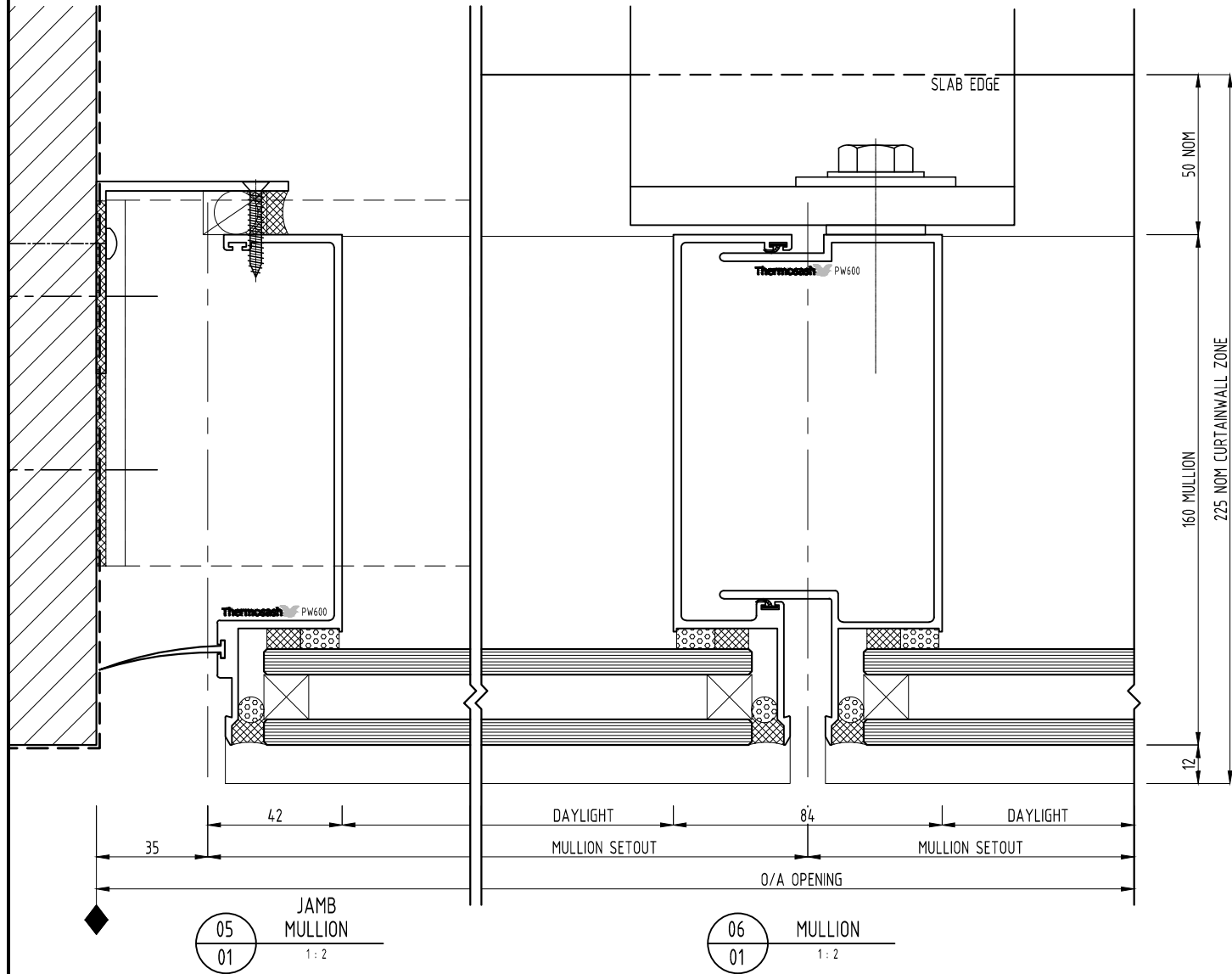
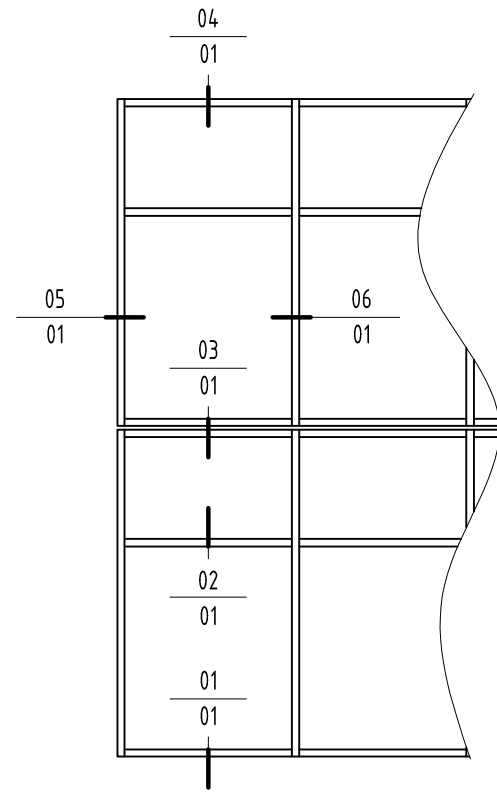


NOTES:
 1) DRAWING TO BE USED IN CONJUNCTION WITH 'MASTERSPEC' (4211)
 2) WINDOW SYSTEMS REQUIRE SPECIFIC DESIGN DEPENDING ON SPANS, WIND-LOADS, BUILDING CONDITIONS, ETC.
 3) INSIDE GLAZE, INTERNAL REINFORCEMENT AND SEISMIC FRAME OPTIONS AVAILABLE

GLAZING: GLASS THICKNESS TO SUIT REQUIREMENTS
 HARDWARE: STANDARD HARDWARE OPTIONS
 FINISHES: POWDER-COAT / ANODISED / PVF²



04
01

PARAPET CAPPING
1:2

03
01

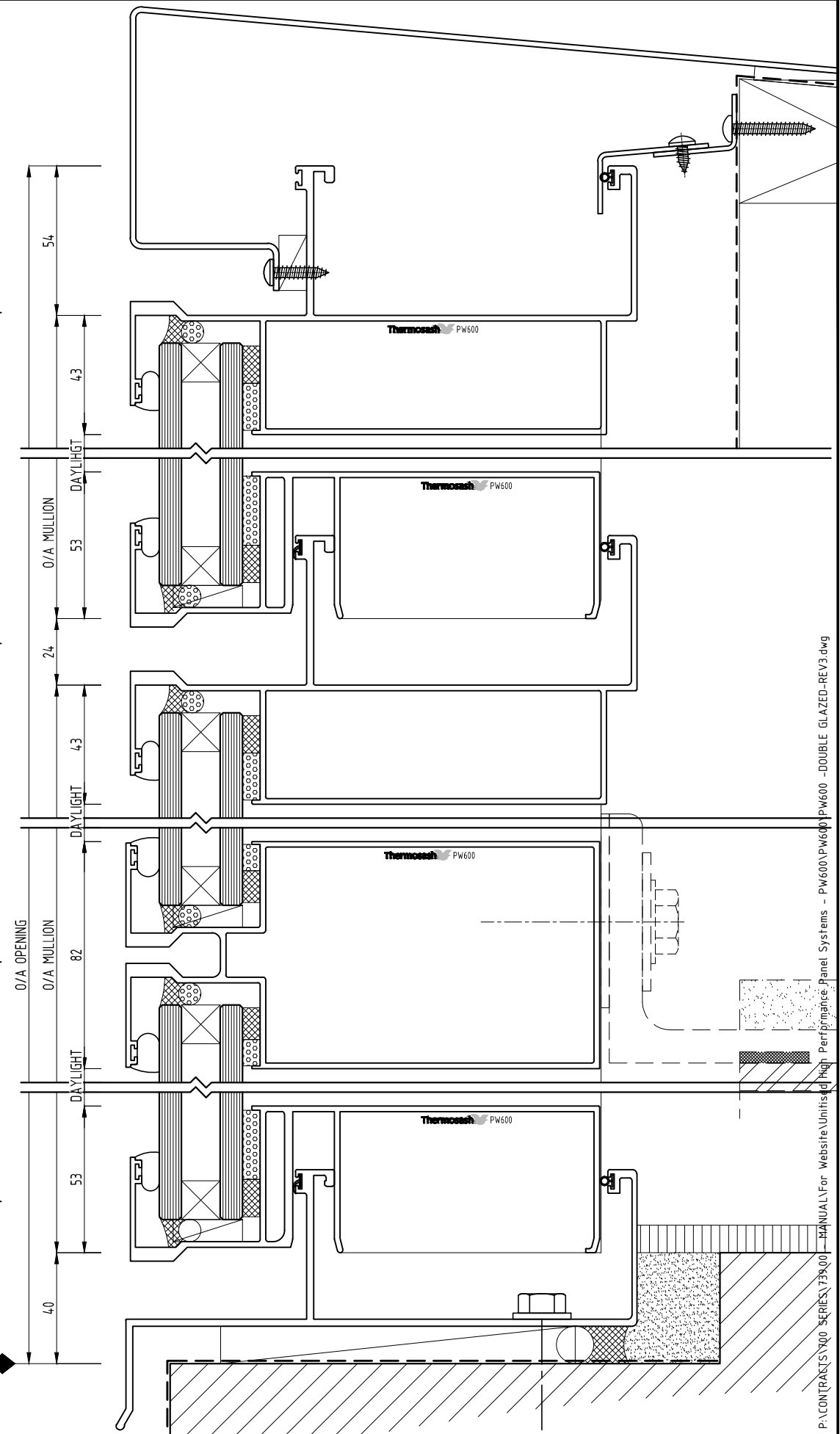
SPLIT TRANSOM
1:2

02
01

TRANSOM
1:2

01
01

SILL TRAY
1:2



SYSTEM :
 PW600
 UNITISED HIGH PERFORMANCE PANEL
 SYSTEM

TYPE :
 160mm MULLION
 DOUBLE GLAZED

SCALE:
 1:2 @ A3

DATE:
 15-01-18

PAGE:
 PW600-01

